

## Nine lamp pedant with clear crystal glass

# 439109

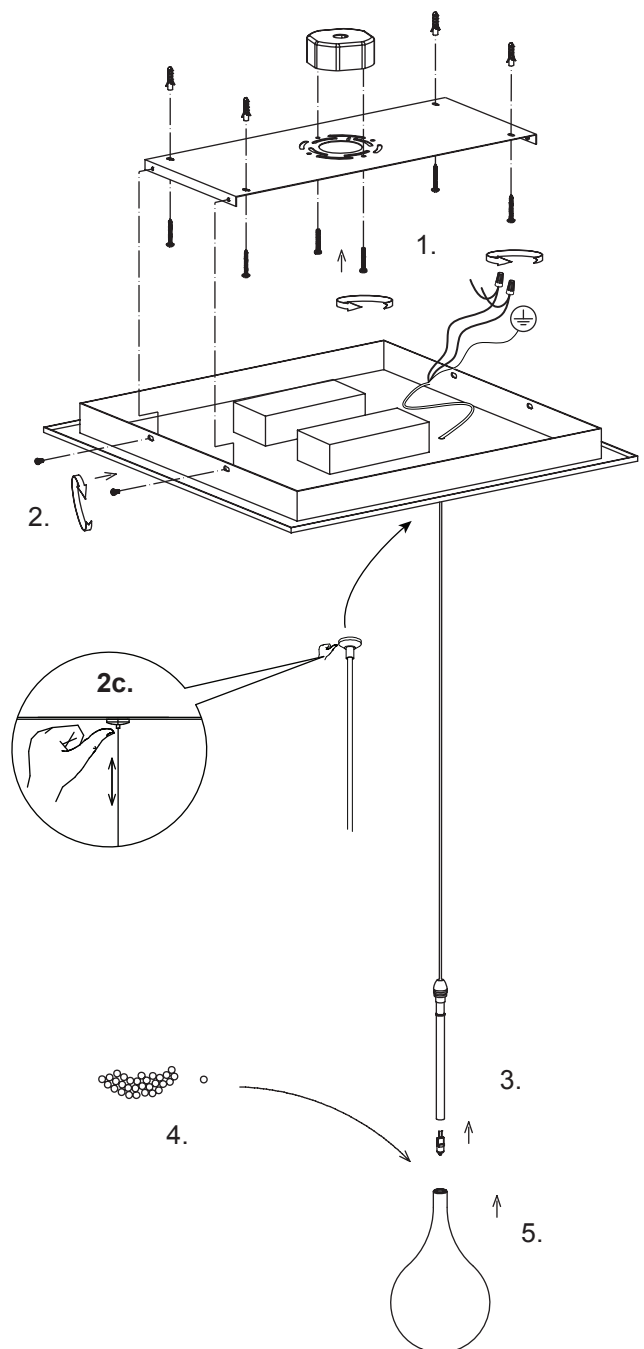
## INSTALLATION SHEET

- 1.** Remove the fixture from its original packaging. Remove the canopy mounting plate from within the canopy and attach it to the electrical junction box, and the ceiling, using the screws provided in the hardware package.
- 2.** Before you mount the canopy to the mounting plate select the desired length you wish the pendant to hang. To shorten or lengthen the length of the cable push up on the canopy nipples (**2c**) and pull the cable, release to secure.
- 3.** Attach the canopy to the mounting plate, which is attached to the electrical junction box on the ceiling. First attach all wiring with the provided marrets (white to white "N", black to black "L", ground to ground "G"). Push the canopy onto the mounting plate and align the two holes on either side of the canopy to the holes on the mounting plate. Once aligned, screw in the four screws provided to secure the fixture to the ceiling.
- 4.** You can now install the G-4 light bulbs of the correct wattage.
- 5.** Locate the crystal bead packages from inside the packaging. Open one of the 9 bead packages and then gently place the beads inside the pendant glass. **(Please Note : There is only one package of beads for each of the glass bulbs.)**
- 6.** Take the pendant lamp socket and guide it gently through the center hole in the glass bulb until it has been completely inserted inside the bulb. Make sure you have secured the glass to the pendant by gently pushing up on the glass until it has firmly seated itself to the pendant. **(Please make sure that the fixture glass is secured to the pendant before releasing your grip on the glass.)**
- 7.** Please repeat steps 4 and 5 until the installation of all the pendant glass is complete.
- 8.** You have now completed the installation of your fixture, please enjoy.

### START FROM HERE

- Make sure power is completely off at the fuse box.
- Have your fixture installed by a qualified licensed electrician
- Prepare everything in clear area.
- Wear gloves at all times during this installation.
- Read instructions carefully before you start assembly.
- Keep this instruction sheet for future reference.

**Technical Support:** 1-877-452-6858



# KUZCO LIGHTING

19054 28th Avenue Surrey, BC Canada V3Z 6M3  
T: 604 538 7162 TF: 1-855 85 KUZCO F: 604 538 7196  
W: kuzcolighting.com  
20140407